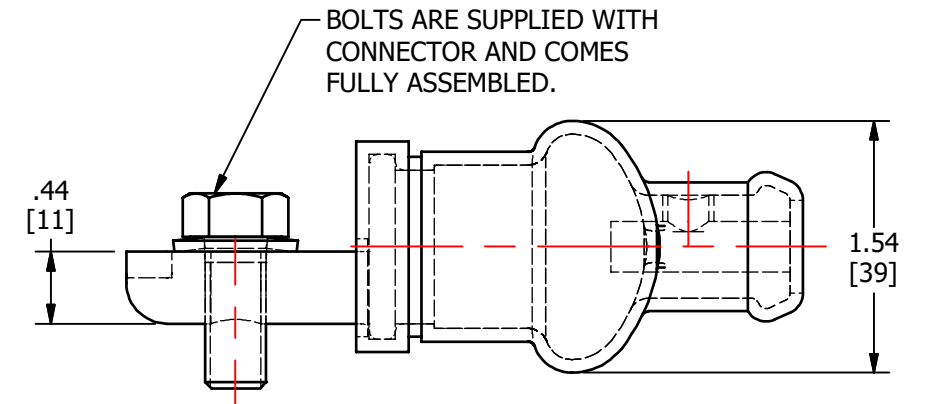
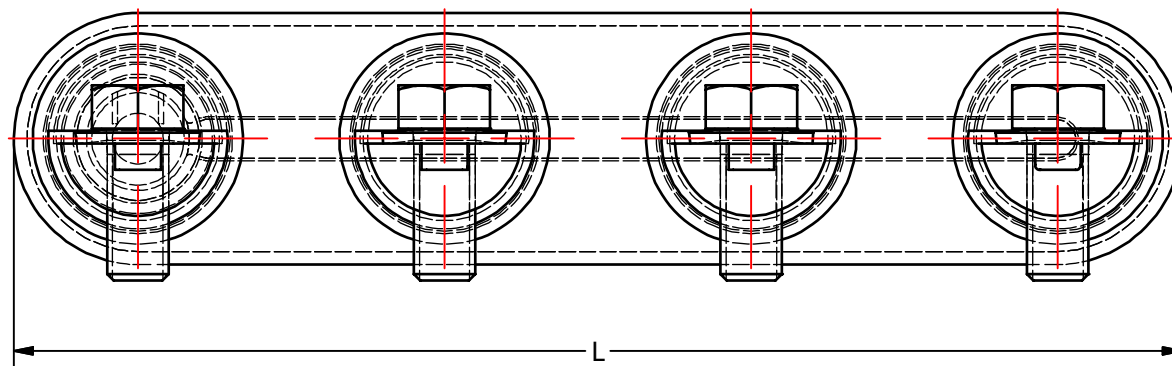
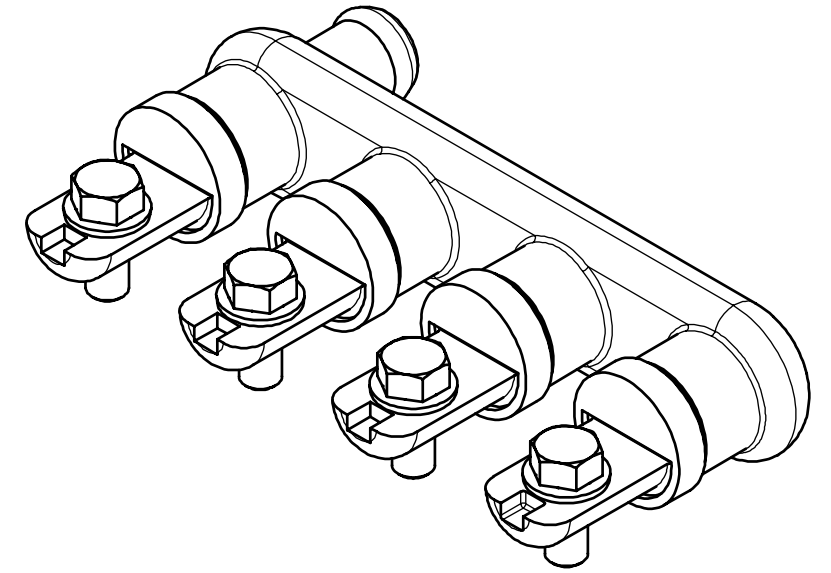
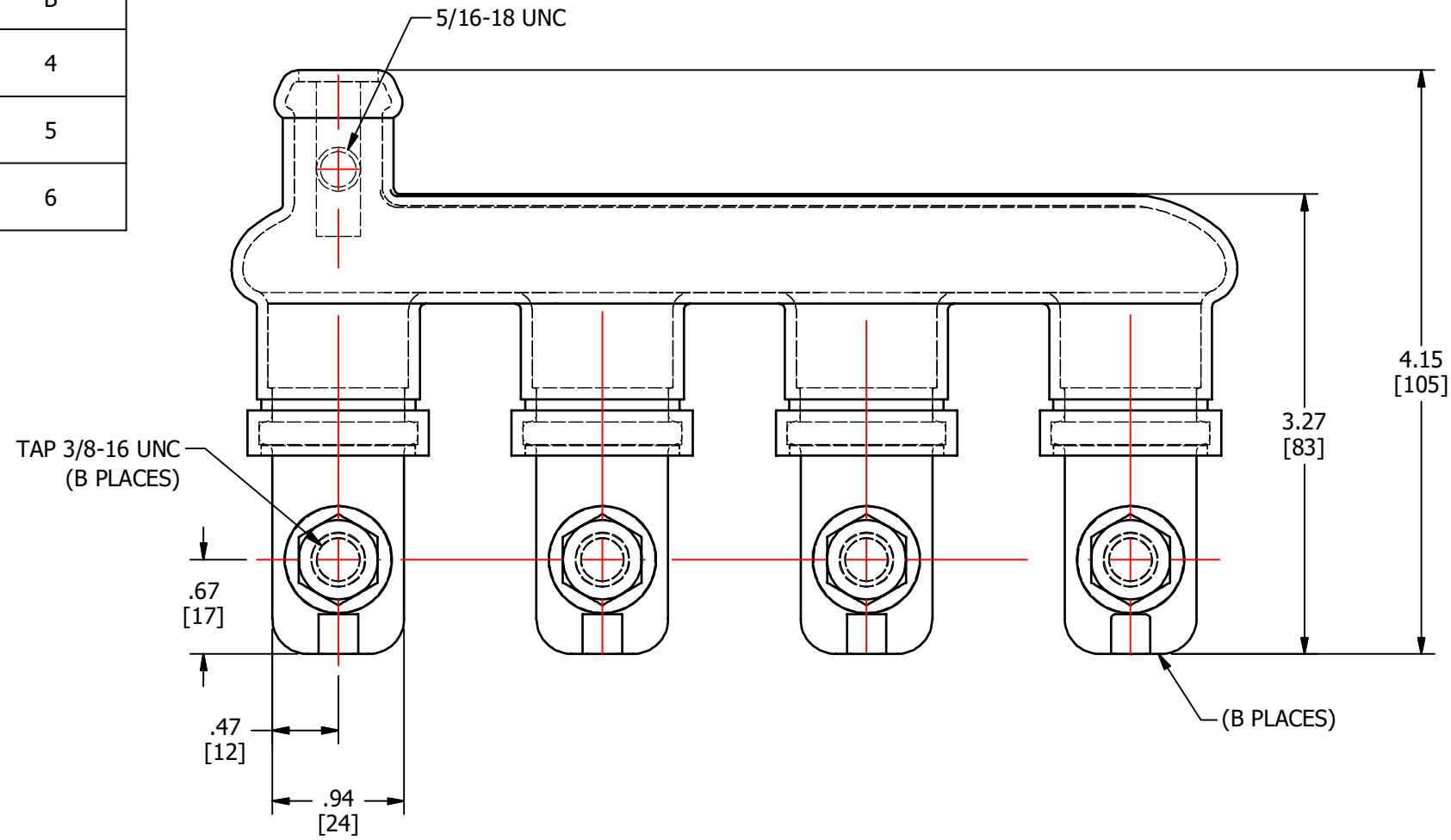


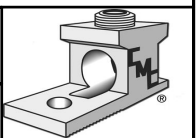
S.NO	CATALOG NUMBER	L	B
1	UC40SL	7 [178]	4
2	UC50SL	8.88 [226]	5
3	UC60SL	10.75 [273]	6



MATERIAL: ALUMINUM
VOLTAGE RATING: 600 V

REV.	DESCRIPTION	ECN	DATE	INIT.
A	NEW DRAWING CREATED		05-29-19	TS

TO ORDER CMC PRODUCTS CALL 1-513-860-4455 FOR PRODUCT INFO: http://www.cmclugs.com	DRAWN BY: TS 05-29-19 CHECKED BY:	NAME OF PART: SUBMERSIBLE PEDESTAL CONNECTOR ASSEMBLY DWG NO: U55700551-S (CHARTED)	CAT. NO.: SEE TABLE
DRAWING NOT TO SCALE		SHEET NO: 1 OF 1	



THIS INFORMATION IS PROPRIETARY TO CONNECTOR MFG. CO. AND IS NOT TO BE DISCLOSED OUTSIDE OF CONNECTOR MFG. CO. WITHOUT A CONFIDENTIALITY AGREEMENT



CONNECTOR MANUFACTURING CO.

HAMILTON, OHIO